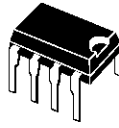


TO220AB

SWITCH MODE POWER SUPPLY ASDs

T _j max = 110 °C (except AVS08CB: 125 °C)									
Type	I _{T(RMS)}	+V _{DRM} (V)	I _{TSM} (A)	IDRM @ V _{DRM} @ T _j max max (mA)	Suffix (1)	AVS kit	V _{TM} @ I _{TM} max (V) (A)	Comments	Package
AVS08	5	500	65	10 (T _j = 25 °C)	CB CBI	Dedicated TRIAC AVS08CB With driver AVS1BCP08	1,65 7	Monitor & TV < 200 W	TO220AB
AVS10	8	600	80	0,5	CB CBI	Dedicated TRIAC AVS10CB With driver AVS10CB	1,75 11	Monitor & TV < 300 W	TO220AB
AVS20	8	600	80	0,5	CB	Dedicated TRIAC AVS10CB With driver AVS2ACP08	1,75 11	PC (dedicated) < 300 W	TO220AB
AVS12	12	600	100	0,5	CB	Dedicated TRIAC AVS12CB With driver AVS1ACP08	1,75 17	Monitor & TV < 500 W	TO220AB

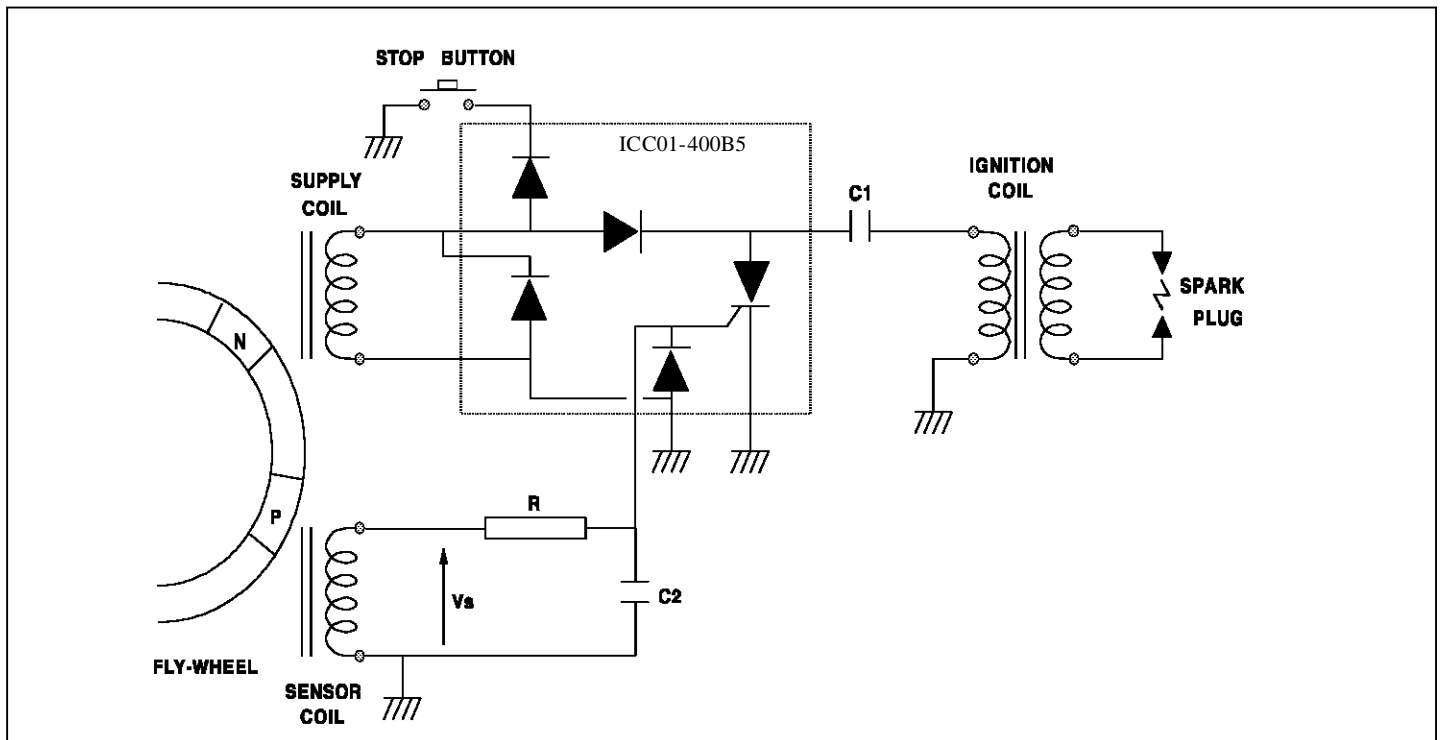
(1) CBI insulated (insulating voltage = 2500 V_{RMS}). CB uninsulated.

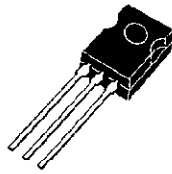


DIL 8

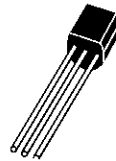
AUTOMOTIVE ASDs: Ignition Control Circuit

Type	Description	Package
ICC03-400B2	Control circuit for small engine ignition (Lawn mower, Chain saw, Motorcycles)	DIL8





SOT82



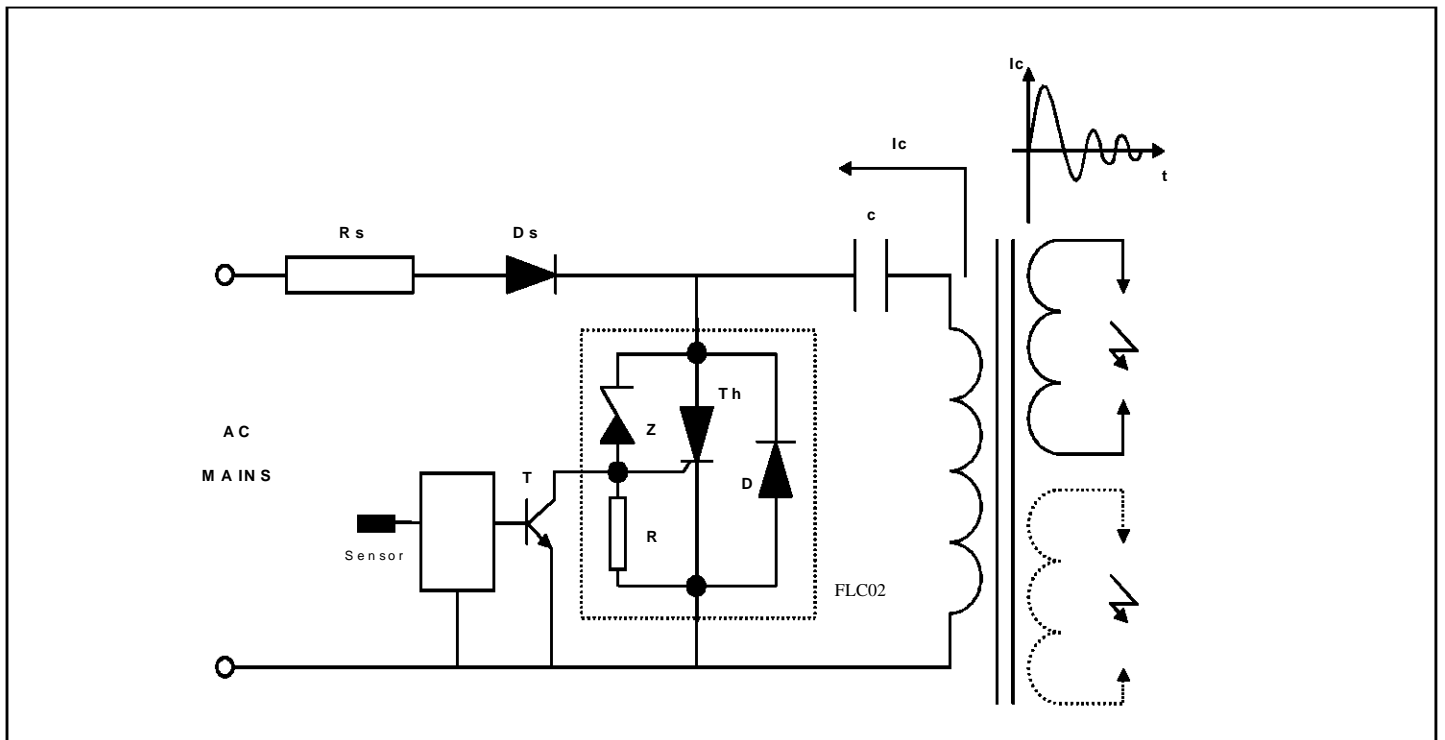
TO92

INDUSTRIAL ASDs: Fire Lighter Circuit

Type	Description	Package
◆ FLC01-200D	Control circuit for Gas hobs, Fuel ignition, Electrical fence (150A - 10µs capability)	SOT82
◆ FLC02-200D		
◆ FLC10-200D	Control circuit for Gas hobs, Fuel ignition, Electrical fence (240A - 10µs capability)	SOT82
† FLC21-135A	Control circuit for Gas hobs, Fuel ignition (DC Operation)	TO92
† FLC22-135A		

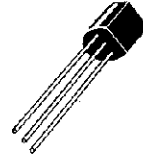
◆ New Products.

† Advanced Information.





SOT23



TO92

LIGHTING ASDs: Special SCRs For Starlight

T _j max = 125 °C													
Type	I _{T(RMS)} (A)	T _a (1) T _I (2) T _c (3) T _{tab} (4) (°C)	V _{RRM} V _{DRM} (V)	I _{TSM} (A)	I _{RRM} @ I _{DRM} @ T _j max max (mA)	T _j = 25°C					dv/dt 67% V _{DRM} T _j max min (V/μs)	di/dt max (A/μs)	Package
						I _{GT} min (μA)	I _{GT} max (μA)	I _H max (mA)	V _{TM} @ I _{TM} max (V)	I _{TM} (A)			
P0130AL	0,2	25 (1)	100	7	0,1	0,1	1	5	1,3	0,4	25	30	SOT23
P0130AA	0,8	55 (2)	100	7	0,1	0,1	1	5	1,25	0,5	25	30	TO92