



# Sun StorEdge™ N8600 Filer Storage Upgrade Guide

---

Sun Microsystems, Inc.  
901 San Antonio Road  
Palo Alto, CA 94303-4900 U.S.A.  
650-960-1300

Part No. 816-1912-10  
September 2001, Revision 01

Send comments about this document to: [docfeedback@sun.com](mailto:docfeedback@sun.com)

Copyright 2001 Sun Microsystems, Inc., 901 San Antonio Road, Palo Alto, CA 94303-4900 U.S.A. All rights reserved.

This product or document is distributed under licenses restricting its use, copying, distribution, and decompilation. No part of this product or document may be reproduced in any form by any means without prior written authorization of Sun and its licensors, if any. Third-party software, including font technology, is copyrighted and licensed from Sun suppliers.

Parts of the product may be derived from Berkeley BSD systems, licensed from the University of California. UNIX is a registered trademark in the U.S. and other countries, exclusively licensed through X/Open Company, Ltd.

Sun, Sun Microsystems, the Sun logo, AnswerBook2, docs.sun.com, Solaris, Sun StorEdge, and Sun Enterprise are trademarks, registered trademarks, or service marks of Sun Microsystems, Inc. in the U.S. and other countries. All SPARC trademarks are used under license and are trademarks or registered trademarks of SPARC International, Inc. in the U.S. and other countries. Products bearing SPARC trademarks are based upon an architecture developed by Sun Microsystems, Inc. The Energy Star logo is a registered trademark of EPA.

The OPEN LOOK and Sun™ Graphical User Interface was developed by Sun Microsystems, Inc. for its users and licensees. Sun acknowledges the pioneering efforts of Xerox in researching and developing the concept of visual or graphical user interfaces for the computer industry. Sun holds a non-exclusive license from Xerox to the Xerox Graphical User Interface, which license also covers Sun's licensees who implement OPEN LOOK GUIs and otherwise comply with Sun's written license agreements.

Federal Acquisitions: Commercial Software—Government Users Subject to Standard License Terms and Conditions.

DOCUMENTATION IS PROVIDED "AS IS" AND ALL EXPRESS OR IMPLIED CONDITIONS, REPRESENTATIONS AND WARRANTIES, INCLUDING ANY IMPLIED WARRANTY OF MERCHANTABILITY, FITNESS FOR A PARTICULAR PURPOSE OR NON-INFRINGEMENT, ARE DISCLAIMED, EXCEPT TO THE EXTENT THAT SUCH DISCLAIMERS ARE HELD TO BE LEGALLY INVALID.

---

Copyright 2001 Sun Microsystems, Inc., 901 San Antonio Road, Palo Alto, CA 94303-4900 Etats-Unis. Tous droits réservés.

Ce produit ou document est distribué avec des licences qui en restreignent l'utilisation, la copie, la distribution, et la décompilation. Aucune partie de ce produit ou document ne peut être reproduite sous aucune forme, par quelque moyen que ce soit, sans l'autorisation préalable et écrite de Sun et de ses bailleurs de licence, s'il y en a. Le logiciel détenu par des tiers, et qui comprend la technologie relative aux polices de caractères, est protégé par un copyright et licencié par des fournisseurs de Sun.

Des parties de ce produit pourront être dérivées des systèmes Berkeley BSD licenciés par l'Université de Californie. UNIX est une marque déposée aux Etats-Unis et dans d'autres pays et licenciée exclusivement par X/Open Company, Ltd.

Sun, Sun Microsystems, le logo Sun, AnswerBook2, docs.sun.com, Solaris, Sun StorEdge, et Sun Enterprise sont des marques de fabrique ou des marques déposées, ou marques de service, de Sun Microsystems, Inc. aux Etats-Unis et dans d'autres pays. Toutes les marques SPARC sont utilisées sous licence et sont des marques de fabrique ou des marques déposées de SPARC International, Inc. aux Etats-Unis et dans d'autres pays. Les produits portant les marques SPARC sont basés sur une architecture développée par Sun Microsystems, Inc.

L'interface d'utilisation graphique OPEN LOOK et Sun™ a été développée par Sun Microsystems, Inc. pour ses utilisateurs et licenciés. Sun reconnaît les efforts de pionniers de Xerox pour la recherche et le développement du concept des interfaces d'utilisation visuelle ou graphique pour l'industrie de l'informatique. Sun détient une licence non exclusive de Xerox sur l'interface d'utilisation graphique Xerox, cette licence couvrant également les licenciés de Sun qui mettent en place l'interface d'utilisation graphique OPEN LOOK et qui en outre se conforment aux licences écrites de Sun.

LA DOCUMENTATION EST FOURNIE "EN L'ETAT" ET TOUTES AUTRES CONDITIONS, DECLARATIONS ET GARANTIES EXPRESSES OU TACITES SONT FORMELLEMENT EXCLUES, DANS LA MESURE AUTORISEE PAR LA LOI APPLICABLE, Y COMPRIS NOTAMMENT TOUTE GARANTIE IMPLICITE RELATIVE A LA QUALITE MARCHANDE, A L'APTITUDE A UNE UTILISATION PARTICULIERE OU A L'ABSENCE DE CONTREFAÇON.



# Contents

---

<b>Sun StorEdge N8600 Filer Storage Upgrade Guide</b>	<b>1</b>
Related Documentation	2
Accessing Sun Documentation Online	2
Ordering Sun Documentation	2
Sun Welcomes Your Comments	3
Upgrading a Sun StorEdge N8600 Filer	4
Installing the Expansion Cabinet	5
▼ To Install the Expansion Cabinet	5
▼ To Install the FC-100 Hubs	5
Installing a Sun StorEdge T3 Array Partner Group	6
Installing the Rackmount Kit	6
▼ To Install the Rackmount Kit	6
Installing the Arrays	7
▼ To Install the Arrays	7
Connecting the Arrays	8
▼ To Interconnect the New Partner Group	8
▼ To Connect the Data Network Fiber-Optic Cable	9
▼ To Connect the Management LAN Ethernet Cables	11
▼ To Interconnect Expansion Racks	11

- ▼ To Connect AC Power 11
- Inspecting the Physical Installation 12
- Powering On the Arrays 12
- Configuring the Partner Group 13
  - Adding the Partner Group's IP Settings 13
    - ▼ To Add the IP Settings 13
    - Adding the Server's IP Address 15
      - ▼ To Transfer the `syslog.conf` File to the Server 15
      - ▼ To Edit the `/etc/syslog.conf` File 17
      - ▼ To Transfer the `/syslog.conf` File Back to the Array 17
- Finishing and Verifying the Installation 19
  - ▼ To Create Logical Volumes 19
  - ▼ To Verify the Installation 19

# Sun StorEdge N8600 Filer Storage Upgrade Guide

---

This guide describes how to install and configure additional partner groups of Sun StorEdge™ T3 arrays in the Sun StorEdge N8600 Filer.

Add-on partner groups, consisting of two Sun StorEdge T3 arrays and associated cabling, arrive with each array configured as one logical volume (disks 1 through 8), with RAID 5, and with disk 9 configured as a hot spare.

---

**Note** – Be sure to use the Sun StorEdge N8600 Filer's `vol` command to create logical volumes on your newly installed storage before you try to create shares with the filer's graphical user interface (GUI). Until you create these logical volumes, you will not be able to create shares with the GUI. See [“Finishing and Verifying the Installation” on page 19](#) for more information.

---

The filer incorporates an internal Ethernet local area network (LAN) that only connects the server with the Sun StorEdge T3 arrays contained within the filer. This internal network is secure and cannot be directly accessed from outside the filer. The filer can be attached to another LAN, such as a company-wide business network, but this network has no direct access to the filer's internal LAN.

During the initial installation of the new partner group, you set up the partner group's `syslog.conf` file to include the IP address of the filer's server. All warnings and other messages generated by the partner group are sent to the server, which then generates an email on the external, company-wide LAN to inform appropriate personnel.

---

## Related Documentation

Document Title	Part Number
<i>Sun StorEdge T3 Array Cabinet Installation Guide</i>	806-7979
<i>Sun StorEdge T3 Array Administrator's Guide</i>	806-1063
<i>Sun StorEdge T3 Array Release Notes</i>	806-1497
<i>Sun Enterprise 6500/5500/4500 Systems Reference Manual</i>	805-2632
<i>Sun StorEdge N8400 and N8600 Filer Administrator's Guide</i>	806-6905
<i>Sun StorEdge Expansion Cabinet Installation and Service Manual</i>	805-3067
<i>Sun StorEdge FC-100 Hub Installation and Service Manual</i>	805-0315
<i>Rackmount Placement Matrix</i>	805-4748

---

## Accessing Sun Documentation Online

A broad selection of Sun system documentation is located at:

<http://www.sun.com/products-n-solutions/hardware/docs>

A complete set of Solaris documentation and many other titles are located at:

<http://docs.sun.com>

---

## Ordering Sun Documentation

Fatbrain.com, an Internet professional bookstore, stocks select product documentation from Sun Microsystems, Inc. For a list of documents and how to order them, visit the Sun Documentation Center on Fatbrain.com at:

<http://www.fatbrain.com/documentation/sun>

---

# Sun Welcomes Your Comments

Sun is interested in improving its documentation and welcomes your comments and suggestions. You can email your comments to Sun at:

`docfeedback@sun.com`

Please include the part number (8xx-xxxx-xx) of your document in the subject line of your email.

---

# Upgrading a Sun StorEdge N8600 Filer

The Sun StorEdge N8600 Filer is composed of one rack with a Sun Enterprise™ 4500 server and up to two partner groups of Sun StorEdge T3 arrays, plus one or two additional racks containing up to four partner groups each.

Redundancy is built into the filer at all levels. A partner group continues to function with the loss of a power supply, a controller board, or a Fibre Channel arbitrated-loop (FC-AL) host bus adapter. The rack that contains the partner groups has two power distribution systems that back each other up in case of failure, and the two FC-AL hubs are fully redundant. There is no single-point-of-failure (SPOF) in the entire data path of a rack of partner groups.

In addition to the redundancy of the rack's hardware, each array power supply has a built in battery backup system. If main power is lost, the battery provides enough power for the array to shut itself down properly.

The server hardware is also redundant and includes three I/O modules each of which contains two FC-AL host bus adapters, which connect to the partner group's FC-AL hubs. The failure of any host bus adapter or I/O module poses no threat to availability because the FC-AL hubs are connected in such a way that no rack is connected to only one I/O module. See FIGURE 3 for one possible wiring scheme.

The only requirement to maintain redundancy at the I/O modules is to have each of the two lines from the partner group's FC-AL hubs connect to different I/O modules. For instance, in FIGURE 3, the FC-AL hubs of rack #1 are connected to I/O modules #1 and #3; the FC-AL hubs of rack #2 are connected to I/O modules #1 and #2; and the FC-AL hubs of rack #3 are connected to I/O modules #2 and #3. No rack has both of its data lines connected to a single I/O module, providing an alternate data path if any I/O module fails. Again, there is no SPOF.

In upgrading the storage capacity of your filer, you might have to install another rack for the new partner groups. Once the partner groups are installed and connected according to the instructions in this guide, connect the two Fibre Channel connections from the new rack's FC-AL hubs to the I/O modules of the server. There will be two connections available at the server on different I/O modules to maintain redundancy.



---

# Installing the Expansion Cabinet

Follow these instructions only if the installation of your new partner groups requires the addition of an expansion cabinet to your Sun StorEdge N8600 Filer.

## ▼ To Install the Expansion Cabinet

- **Follow the instructions in the *Sun StorEdge Expansion Cabinet Installation and Service Manual* to install the expansion cabinet.**

---

**Note** – The expansion cabinet has two stabilizer legs that must be installed to maintain the cabinet's stability during the installation of the arrays, which are heavy. Be sure to install these stabilizer legs and be sure to use them as instructed.

---

## ▼ To Install the FC-100 Hubs

- **Follow the instructions in the *Rackmount Placement Matrix* and in the *Sun StorEdge FC-100 Hub Installation and Service Manual* to install the hubs.**

---

# Installing a Sun StorEdge T3 Array Partner Group

This section presents procedures for installing a partner group of Sun StorEdge T3 arrays in the filer.

## Installing the Rackmount Kit

### ▼ To Install the Rackmount Kit

Perform this procedure for each partner group that you are adding to the Sun StorEdge N8600 Filer.



---

**Caution** – A single Sun StorEdge T3 array with its support plate can weigh over 85 pounds (187 kilograms). *Never try to install it by yourself.* Be sure to extend the stabilizer legs of the expansion cabinet, have another person assist you, and follow all instructions carefully.

---

- **Follow the instructions in the *Sun StorEdge T3 Array Cabinet Installation Guide* to install the mounting brackets in the cabinet.**

# Installing the Arrays

Instructions for installing the arrays are located in the *Sun StorEdge T3 Array Cabinet Installation Guide* that you have already downloaded.

The arrays in the Sun StorEdge N8600 filer are configured in partner groups. Each array partner group consists of a *master controller unit (MCU)* array and an *alternate MCU array*. The arrays are mounted one above the other in the cabinet. Both arrays are physically and electrically identical, however, the cabling configuration makes one of them the MCU and the other the alternate MCU. By convention, the lower of the two is called the MCU and the cabling diagrams in this procedure will make it so. You can install either one on top, but the cabling procedures will make the bottom one the MCU.

---

**Note** – There is no need to power off the filer in order to install additional partner groups.

---

Perform this procedure for each partner group that you are adding to the Sun StorEdge N8600 Filer.

## ▼ To Install the Arrays

1. **Unpack the arrays.**
2. **Rackmount the two arrays of the partner group in the Sun StorEdge Expansion Cabinet or other equipment rack using the instructions in the *Sun StorEdge T3 Array Cabinet Installation Guide*.**

# Connecting the Arrays

## ▼ To Interconnect the New Partner Group

Perform this procedure for each partner group that you are adding to the Sun StorEdge N8600 Filer.

- Use the interconnect cables to interconnect the array partner group as shown in FIGURE 1.

This wiring configuration causes the lower array to become the MCU and the upper array to become the alternate MCU.

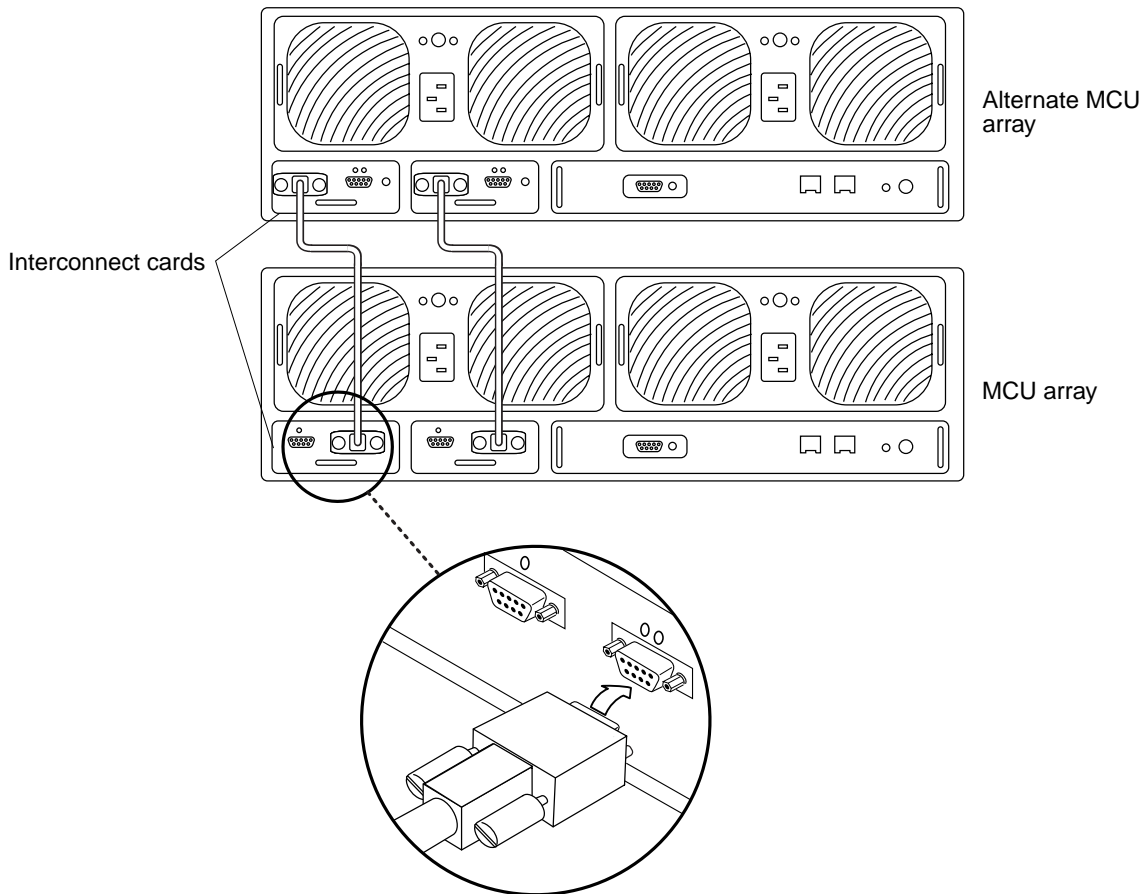


FIGURE 1 Connecting the Interconnect Cables

## ▼ To Connect the Data Network Fiber-Optic Cable

Perform this procedure for each partner group that you are adding to the Sun StorEdge N8600 Filer.

### 1. Connect a fiber-optic cable to the MCU array of a partner group.

Use a Media Interface Adapter (MIA) to connect the fiber-optic cable as shown in FIGURE 2

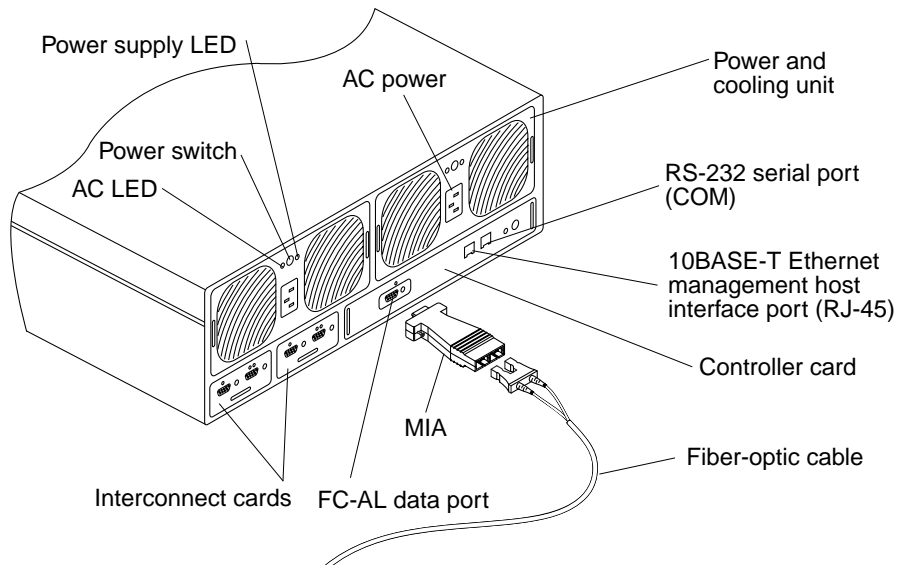


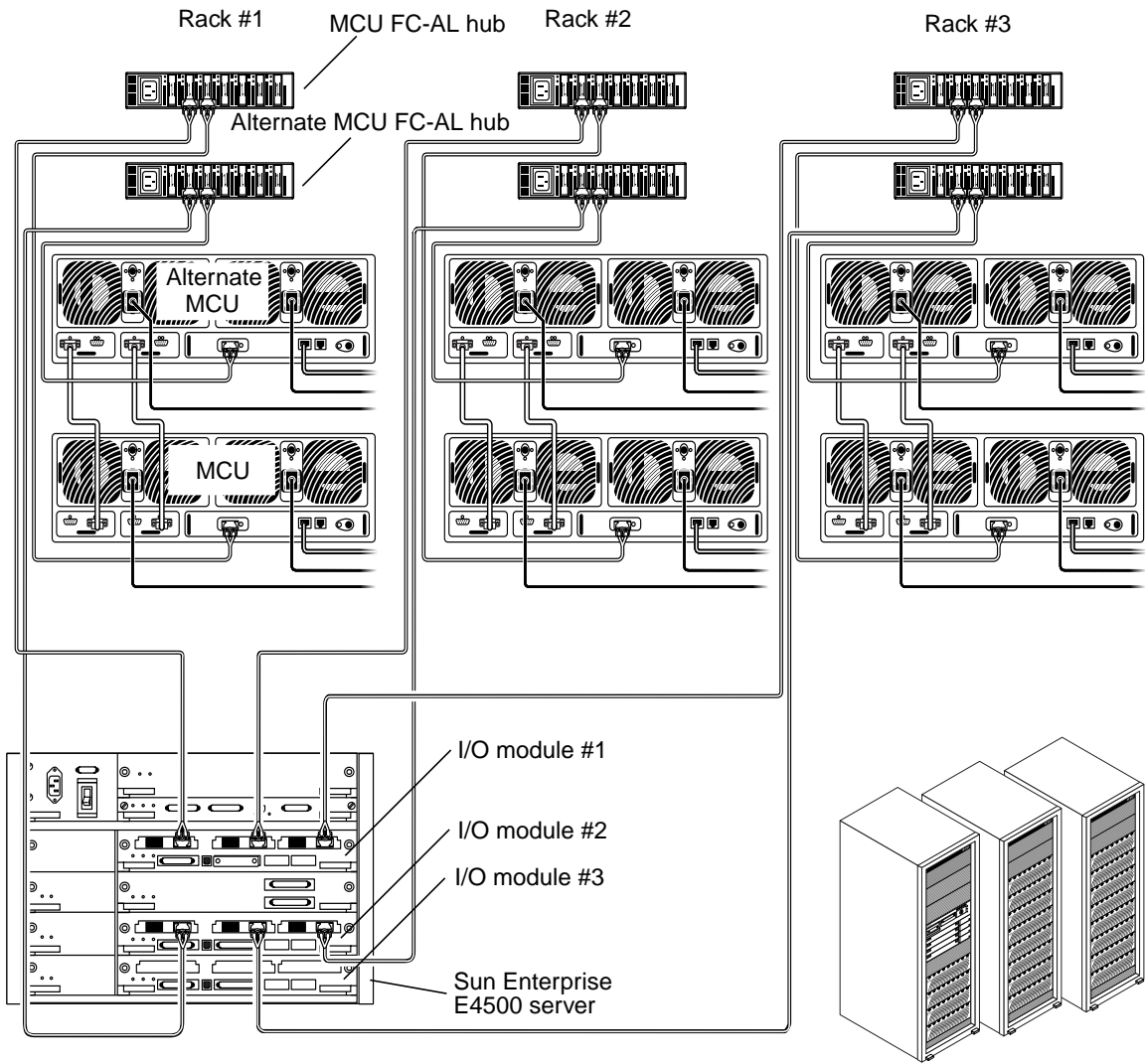
FIGURE 2 Array Back Panel Details

### 2. Connect the other end of the fiber-optic cable to the next available port of the MCU FC-AL hub as shown in FIGURE 3.

### 3. Connect a fiber-optic cable to the alternate MCU array of a partner group.

Use a Media Interface Adapter (MIA) to connect the fiber-optic cable as shown in FIGURE 2.

### 4. Connect the other end of the fiber-optic cable to the next available port of the alternate MCU FC-AL hub as shown in FIGURE 3.



**FIGURE 3** Data Network Interconnect for Sun StorEdge N8600 Filer

## ▼ To Connect the Management LAN Ethernet Cables

Perform this procedure for each partner group that you are adding to the Sun StorEdge N8600 Filer.

1. **Connect a 10/100BASE-T Ethernet cable to the Ethernet port on the back of the MCU array (the lower array of the partner group).**
2. **Connect the other end of the Ethernet cable to the next available port of the 10/100BASE-T Ethernet hub as shown in FIGURE 4.**
3. **Connect a 10/100BASE-T Ethernet cable to the Ethernet port on the back of the alternate MCU array (the upper array of the partner group).**
4. **Connect the other end of the Ethernet cable to the next available port of the 10/100BASE-T Ethernet hub as shown in FIGURE 4.**

## ▼ To Interconnect Expansion Racks

Perform this step only if you are adding an expansion rack.

1. **Connect a standard 10/100BASE-T Ethernet cable to port 12 of the Ethernet hub of the expansion rack that you are adding.**
2. **Connect the other end of the Ethernet cable to any available port on the hub of the next expansion rack in line toward the rack that contains the server. See FIGURE 4.**
3. **Set the MDI/MDIX switch of the Ethernet hub of the added expansion rack to MDI.**

## ▼ To Connect AC Power

Perform this procedure for each partner group that you are adding to the Sun StorEdge N8600 Filer.

1. **Connect the left-side rack power cable to the left power and cooling unit AC power socket of the MCU.**
2. **Connect the right-side rack power cable to the right power and cooling unit AC power socket of the MCU.**
3. **Connect the left-side rack power cable to the left power and cooling unit AC power socket of the alternate MCU.**
4. **Connect the right-side rack power cable to the right power and cooling unit AC power socket of the alternate MCU.**

# Inspecting the Physical Installation

- Verify all cable connections as shown in FIGURE 3 and FIGURE 4.

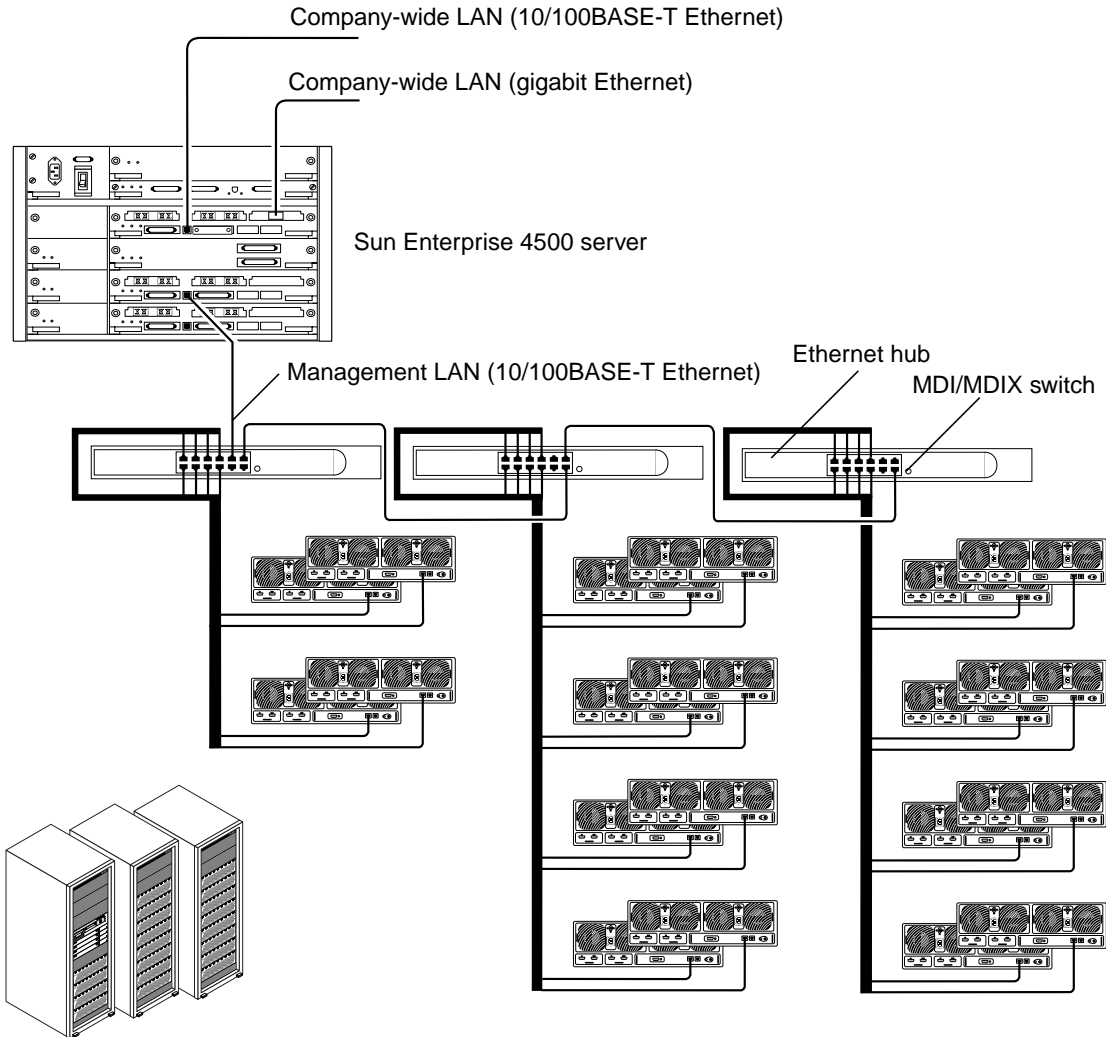


FIGURE 4 Management Network Interconnect for Sun StorEdge N8600 Filer

## Powering On the Arrays

- Power up the arrays by pressing the two power switches on the back of each array. Wait, powering on takes several minutes.



---

# Configuring the Partner Group

A partner group provides redundant management communications for its two arrays. If one array controller fails, the other controller assumes control of all management reporting, as well as, if possible, data access to the failed array's disk drives. You only need to configure the management LAN for the MCU. In the event that the MCU fails, it automatically fails over to its alternate MCU. No setup of the management LAN on the alternate MCU is needed.

After you complete the setup of the management LAN, you have Ethernet access to the array to complete the configuration of the arrays.

Repeat this entire procedure for the MCU of each partner group installed, but not for its alternate MCU.

## Adding the Partner Group's IP Settings

Repeat this entire procedure for the MCU of each partner group installed, but not for its alternate MCU.

### ▼ To Add the IP Settings

The partner groups are connected to a local area network (LAN) as shown in FIGURE 4. To set up the connectivity for a partner group, perform the following steps:

- 1. Connect a terminal to the COM Port (see FIGURE 2) on the back of the MCU array.**

A Tip kit was supplied with your Sun StorEdge N8600 filer that includes a 9-pin to 25-pin adapter, a 9-pin Tip adapter, and an interconnect cable.

  - If you are using a Sun workstation, connect either TTYA or TTYB to the array's COM port using the Tip kit.
  - If you are using a PC, connect either of the serial ports of the PC to the array's COM port using the Tip kit.
- 2. From your terminal, open a session with the array:**
  - If your terminal is a PC, open a hyperterminal session with these communications settings: 8 bit, no parity, 1 stop bit, 9600 baud, Xon/Xoff.
  - If your terminal is a Sun workstation, open a Tip session with these communications settings: 8 bit, no parity, 1 stop bit, 9600 baud, Xon/Xoff.

**3. Give the array a name. For instance, name the array “disk4.”**

```
:/:<n> set hostname disk4
```

---

**Note** – <n> = the system-generated command count for each individual session.

---

**4. Set the IP Address using the `set ip` command.**

This enables the basic Ethernet connectivity to the arrays. For example:

```
disk4:/:<n> set ip 129.150.47.86
```

**5. Set the gateway address using the `set gateway` command.**

This enables you to access an array outside of the subnet. For example:

```
disk4:/:<n> set gateway 129.150.47.1
```

**6. Set the netmask using the `set netmask` command.**

The netmask specifies the mask used to implement IP subnetting. For example:

```
disk4:/:<n> set netmask 255.255.255.0
```

This establishes connectivity for the array.

**7. Reboot the MCU array by typing the following:**

```
disk4:/:<n> reset  
Reset the system, are you sure? [N]: Y
```

You can now terminate the Tip session.

**8. Repeat [Step 1](#) through [Step 7](#), using a different name for the MCU of each partner group that you are configuring.**

This completes the management Ethernet LAN configuration. Additional procedures are performed through the Ethernet LAN and not the Tip terminal’s serial connection.

# Adding the Server's IP Address

You configured the MCU of each partner group for the Ethernet management LAN through the Tip terminal. Now, through the Ethernet management LAN, you must configure both the MCU and the alternate MCU of each partner group that you installed.

This is an outline of the steps in this procedure:

- Set the password of the array.
- Open an FTP session to the array.
- Use FTP to bring the array's `/etc/syslog.conf` file to your server for editing.
- Edit the `/etc/syslog.conf` file.
- Use FTP to return the array's `/etc/syslog.conf` file after editing it.

## ▼ To Transfer the `syslog.conf` File to the Server

1. Open a Telnet session with the partner group at the IP address you just set.
2. Set the array's root password, if you haven't already, using the `passwd` command (as an example: `disk7` with IP address `192.148.226.11`).

```
# telnet 192.148.226.11
disk7:/:<n> passwd
OLD password: [old] password
NEW password: [new] password
NEW password (confirm): [new] password
disk7:/:<n> exit
#
```

3. Enable an FTP session to the MCU array:

```
# ftp 192.148.226.11
Connected to 192.148.226.11.
220 server-name FTP server (SunOS 5.8) ready.
disk7(192.148.226.11:root):
```

4. Log on to the array by typing `root` and then your password at the prompts.

```
disk7 (192.148.226.11:root): root
331 Password required for root.
Password: password
230 User root logged in.
ftp>
```

5. Access the `/etc` directory of the array using the `cd` command.

```
ftp> cd /etc
250 CWD command successful.
ftp>
```

6. Access your working directory on the server using the `lcd` command.

```
ftp> lcd /tmp
Local directory now /tmp
ftp>
```

7. Type `binary` to set the transfer mode.

8. Copy the `syslog.conf` file from the `/etc` directory on the array to your working directory using the `get` command.

```
ftp> get syslog.conf
200 PORT command successful.
150 ASCII data connection for syslog.conf (192.148.226.11.34511)
226 ASCII transfer complete.
local: syslog.conf remote: syslog.conf
20 bytes received in 0.0021 seconds (94.81 Kbytes/s)
ftp>
```

9. Exit the FTP session using the `bye` command.

```
ftp> bye
221 Goodbye.
#
```

## ▼ To Edit the `/etc/syslog.conf` File

1. With the editor of your choice, open the `syslog.conf` file.
2. Edit the `syslog.conf` file to allow system messages to be forwarded to the appropriate log files on the server.

```
*.info      @192.148.226.1
```

Either add the above line, if it does not exist in `syslog.conf`, or modify the existing line to show your server IP address. In this example, `192.148.226.1` is the IP address assigned to the server during its initial configuration.

---

**Note** – Use tabs to separate field entries when editing the `syslog.conf` file. If tabs are not used, any edits will not be recognized by the array.

---

3. Save the `syslog.conf` file and exit the editor.

This change enables the array to send Info, Notice, Warning, and Error messages to the server.

## ▼ To Transfer the `/syslog.conf` File Back to the Array

1. Start an FTP session from the server to the array.

For example:

```
# ftp 192.148.226.11
Connected to 192.148.226.11
220 server-name FTP server (SunOS 5.8) ready.
disk7 (192.148.226.11:root):
```

2. Log on to the array by typing `root` and then your password at the prompts.

```
Name (192.148.226.11:root): root

331 Password required for root.
Password: password
230 User root logged in.
ftp>
```

3. Access the `/etc` directory using the `cd` command.

```
ftp> cd /etc
250 CWD command successful.
ftp>
```

4. Access your working directory on the server where the newly created `syslog.conf` file exists using the `lcd` command.

```
ftp> lcd /tmp
Local directory now /tmp
ftp>
```

5. Type `binary` to set the transfer mode.

6. Copy the `syslog.conf` file from your working directory to the `/etc` directory on the array using the `put` command.

```
ftp> put syslog.conf
200 PORT command successful.
150 ASCII data connection for syslog.conf (192.148.226.11.34511)
226 ASCII transfer complete.
local: syslog.conf remote: syslog.conf
20 bytes received in 0.0021 seconds (94.81 Kbytes/s)
ftp>
```

7. Exit the FTP session using the `bye` command.

```
ftp> bye
221 Goodbye.
#
```

8. Access the array by either a Telnet session or a serial connection.

9. Reboot the array by typing the following:

```
disk7::: /etc:<n> reset
Reset the system, are you sure? [N]: Y
```

10. Repeat **[“Adding the Server’s IP Address”](#)** on page 15 for each MCU and for each alternate MCU array of all partner groups that you installed.

---

# Finishing and Verifying the Installation

---

**Note** – You must use the `vol` command to create logical volumes on your newly installed storage before you try to create shares with the filer’s graphical user interface (GUI). See the *Sun StorEdge T3 Disk Tray Administrator’s Guide*.

---

## ▼ To Create Logical Volumes

- **Create one or more logical volumes with the `vol` command as described in the *Sun StorEdge T3 Array Administrator’s Guide*, 806-1063.**

## ▼ To Verify the Installation

### 1. Start the Filer Administration Tool.

Refer to “To Start the Filer Administration Tool” in the *Sun StorEdge N8400 and N8600 Filer Administrator’s Guide*.

### 2. Create a new share.

Refer to “To Add a New Share” in the *Sun StorEdge N8400 and N8600 Filer Administrator’s Guide*.

### 3. Mount the newly created share from another host using both the NFS and CIFS protocols.

If you can create and mount a share under both NFS and CIFS, your installation is complete.

If you cannot create and mount a share, check all the connections and be sure that you performed all the steps in configuring the arrays.

